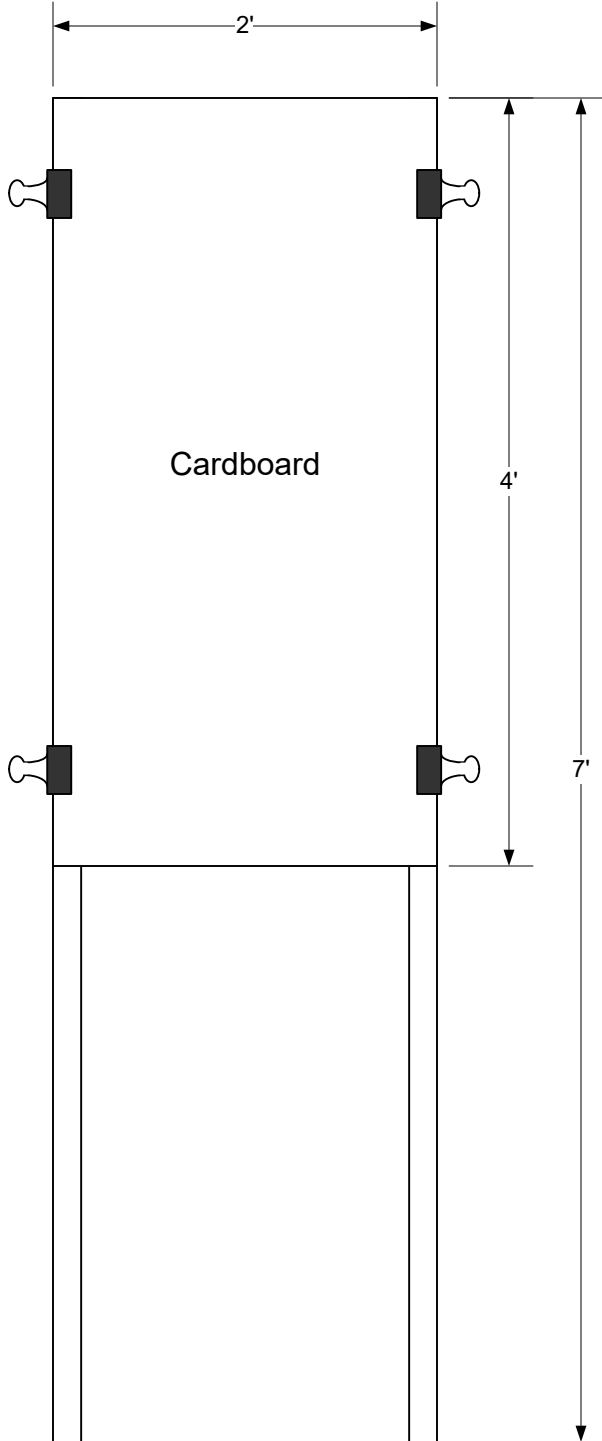


ORCO Sportsman's Association, Inc.  
ACCEPTABLE TARGET FRAME

Make Sure Your Target is Positioned So your Bullets Will Hit the Backstop



Members are expected to provide their own cardboard backer 2' wide, no more than 4' high and 4 large binder clips to attach cardboard to the 7-foot 1"x2" uprights. Do not staple cardboard to the uprights. You may staple or tape your paper targets to your cardboard. ORCO intends to provide 1"x2"s but you should bring a pair with you, just in case ours have been "consumed". In that event you are welcome to donate yours.

BASE PROVIDED BY ORCO

